

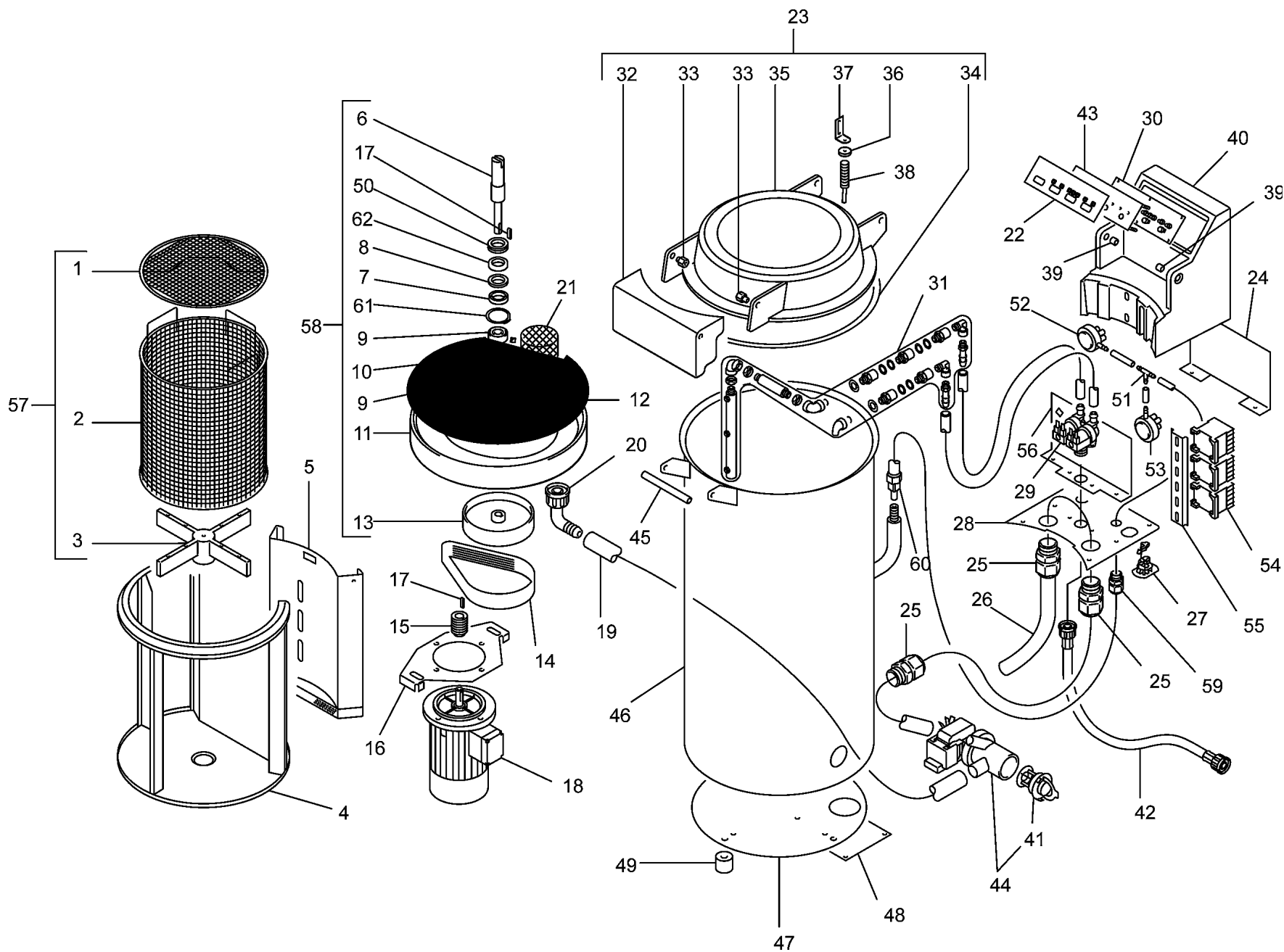


SPARE PARTS TAVOLA RICAMBI

LAV

SPEC.	N.	CODE	DENOMINAZIONE - DENOMINATION	PRICE
	1	36G1540	Cover - Coperchio	€ 28.35
	2	36G1500	Basket - Cestello	€ 69.10
	3	36U0060	Support - Supporto	€ 32.00
	4	35D2650	Bottom - Fondo	€ 105.00
	5	30Q0870	Filter - Filtro	€ 40.00
	6	36G1550	Shaft - Albero	€ 22.00
ø28xø42x7	7	3151300	Oil seal - Paraolio	
	8	3190830	Washer - Rosetta	€ 2.00
6302 2RS	9	36F0090	Bearing - Cuscinetto	€ 9.00
	10	36G5950	Bush - Boccia	€ 1.50
	11	3601160	Bottom - Fondo	€ 40.00
	12	3151750	Ring - Anello	€ 12.50
	13	36G6600	Pulley - Puleggia	€ 9.00
Poly V-559 j12	14	36G6610	Belt - Cinghia	€ 11.00
	15	36G0030	Pulley - Puleggia	€ 6.00
	16	35V1230	Bracket - Staffa	€ 13.50
5x5x20	17	SL0010	Key - Linguetta	
400V/3Ph/50Hz	18	32M3130	Motor - Motore	€ 130.00
ø30	19	33M0440	Pipe - Tubo	
"L90° 1-1/4" F-ø30 PVC"	20	33Q1670	Nipple - Raccordo	
	21	30Q1061	Filter - Filtro	
	22	SL3549	Label - Etichetta	
Assembly	* 23	6005610	Cover - Coperchio	€ 77.00
	24	35M8840	Covering - Copertura	€ 14.00
"ø21 - 3/4" M"	25	32D1090	Sheathing clamp - Pressaguaina	
ø21 L=2,5m.	26	SL1217	Pipe - Tubo	€ 22.00
	27	32D0360	Cable clamp - Pressacavo	€ 1.20
	28	35V8610	Plate - Piastra	€ 9.50
"230V/50-60Hz 3/4" M"	29	33D1641	Electro-valve - Elettrovalvola	€ 16.00
	* 30	32Z3030	Electronic card - Scheda elettronica	€ 65.00
	31	SA3350	Nozzle set - Kit ugelli	€ 42.00
	32	36M5090	Handle - Maniglia	€ 6.50
	33	36D9550	Bush - Boccia	€ 2.00
	34	SL2871	Gasket - Guarnizione	€ 10.50
	35	36Z6501	Cover - Coperchio	€ 35.00
	* 36	3600310	Magnet - Magnete	€ 1.00
	37	35V6381	Bracket - Staffa	€ 0.25
	* 38	32W3240	Microswitch - Microinterruttore	€ 10.00
	39	36D7310	Bush - Boccia	€ 1.50
	40	36Z0690	Box - Scatola	€ 18.00

*Ricambio consigliato - Advised spare parts



POS. CODE

1	36G1540
2	36G1500
3	36U0060
4	35D2650
5	30Q0870
6	36G1550
7	3151300
8	3190830
9	36F0090
10	36G5950
11	3601160
12	3151750
13	36G6600
14	36G6610
15	36G0030
16	35V1230
17	SL0010
18	32M3130
19	33M0440
20	33Q1670
21	30Q1061
22	SL3549
23	6005610
24	35M8840
25	32D1090
26	SL1217
27	32D0360
28	35V8610
29	33D1641
30	32Z3030
31	SA3350
32	36M5090
33	36D9550
34	SL2871
35	36Z6501
36	3600310
37	35V6381
38	32W3240
39	36D7310
40	36Z0690

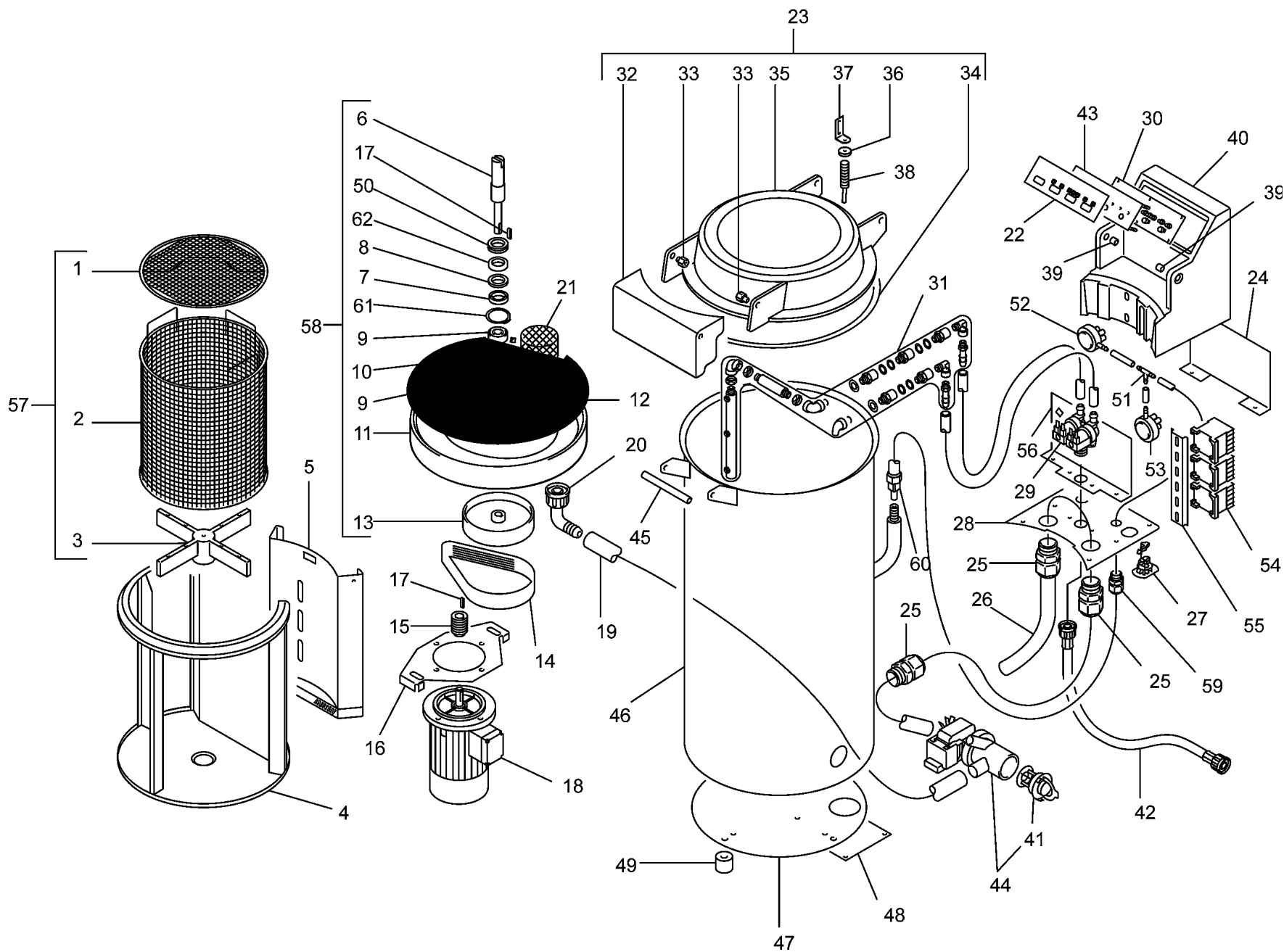


SPARE PARTS
TAVOLA RICAMBI

LAV

SPEC.	N.	CODE	DENOMINAZIONE - DENOMINATION	PRICE
	41	SL3794	Cap - Tappo	€ 13.50
"3/4" F-F "	42	33M0010	Pipe - Tubo	€ 4.50
	43	30A3560	Panel - Pannello	€ 6.00
230V/1Ph/50-60Hz	44	32M3140	Electro-pump - Elettropompa	€ 39.70
	45	36G2040	Pivot - Perno	€ 4.00
	46	30W0550	Housing - Carcassa	€ 300.00
	47	35D7790	Bottom - Fondo	€ 25.00
	48	35M0850	Plate - Piastra	€ 3.50
	* 49	SL1610	Foot - Piedino	€ 3.75
V-30-S	50	3151410	V-ring - V-ring	€ 1.50
ø8 ø8 ø5	51	33Q5290	Nipple - Raccordo	€ 2.50
	52	32Z0860	Pressure switch - Pressostato	€ 13.00
	53	32Z4741	Pressure switch - Pressostato	€ 13.00
230V/50-60Hz 3kW	54	32Z4840	Remote control switch - Teleruttore	€ 23.20
	55	32D0630	Plate - Piastra	€ 4.00
	56	35V8601	Dividing head - Divisorio	€ 13.00
Assembly	57	SA1080	Basket - Cestello	€ 79.00
Assembly	58	SA1065	Bottom - Fondo	€ 72.00
	59	32D1080	Sheathing clamp - Pressaguaina	
	60	SA1111	Sheathing clamp - Pressaguaina	€ 11.00
ø42	61	SL2056	Seeger - Seeger	€ 0.80
ø28xø42x7	62	SL3943	Oil seal - Paraolio	€ 3.50

*Ricambio consigliato - Advised spare parts



POS. CODE

41	SL3794
42	33M0010
43	30A3560
44	32M3140
45	36G2040
46	30W0550
47	35D7790
48	35M0850
49	SL1610
50	3151410
51	33Q5290
52	32Z0860
53	32Z4741
54	32Z4840
55	32D0630
56	35V8601
57	SA1080
58	SA1065
59	32D1080
60	SA1111
61	SL2056
62	SL3943